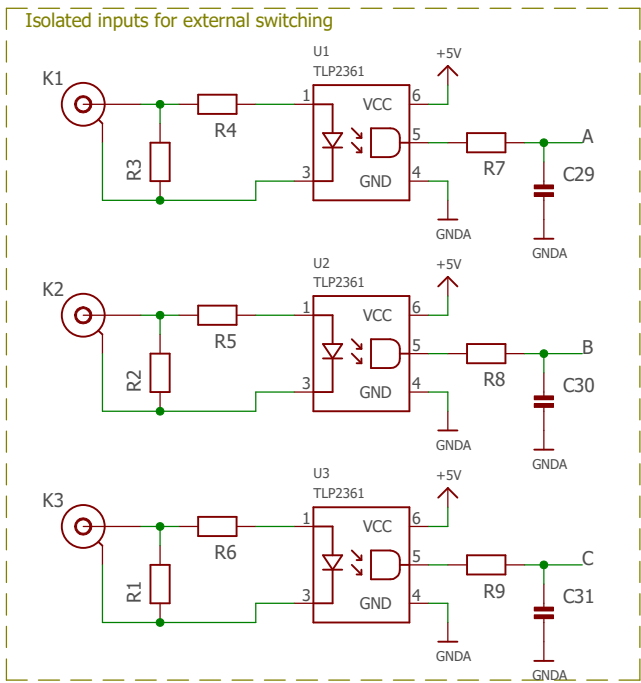


TITLE: DAC\_mux

Date: 1-10-2018 09:59

Sheet: 1/2



For 50 Ohm impedance and 2.5 V level (in 50 Ohm):  
 R3, R2, R1 = 56R  
 R4, R5, R6 = 220R

